

# 1506C-E88TAG3

# 1500

244 kWm standby @ 1500 rpm

Series

## Basic technical data

Number of cylinders	6
Cylinder arrangement	Inline
Cycle	4 stroke
Induction system	Air to air aftercooled, turbocharged
Compression ratio	16.1:1
Bore	112 mm (4.41 inches)
Stroke	149 mm (5.87 inches)
Displacement	8.8 litres (537.0 inches <sup>3</sup> )
Direction of rotation	Anticlockwise facing flywheel
Firing order (number 1 cylinder furthest from flywheel)	1, 5, 3, 6, 2, 4
Estimated total weight of ElectropaK (dry)	1135 kg
Estimated total weight of ElectropaK (wet)	1201 kg

## Overall dimensions

Length, front of radiator to rear of air cleaner	1941 mm
Width	1013 mm
Height, including radiator support brackets	1366 mm

## Moments of rotational inertia (mk<sup>2</sup>)

Engine	0.7361 Nms <sup>2</sup>
Flywheel SAE14	1.667 Nms <sup>2</sup>

## Centre of gravity

Forward of rear face of cylinder block	413 mm
Above crankshaft centre line	231 mm
Offset RHS of centre line	-1 mm

## Performance

All ratings certified to within	± 3%
Speed variation at constant load	± 0.25%

**Note:** Data based on ISO/TR14396, SAE J1995 3.1, ISO3046-1.

**Note:** Engine speed control in accordance with BS5514 pt.4; ISO3046-4 and ISO8528-5.

**Note:** Electrical ratings are based on average alternator efficiency and are for guidance only.

## Test conditions

Air temperature	25°C
Barometric pressure	100 kPa
Relative humidity	35%
Air inlet restriction at maximum power (nominal)	3.7 kPa
Exhaust back pressure at maximum power (nominal)	10 kPa
Fuel temperature (inlet pump)	40°C

**Note:** If the engine is to operate in ambient conditions other than those of the test conditions, suitable adjustments must be made for these changes.

For full details, contact Perkins Technical Service Department.

## General installation

### 1506C-E88TAG3

Designation	Units	Type of operation and application	
		Standby power	Prime power
		50 Hz @ 1500 rpm	
Gross engine power	kWb	258	236
Fan power	kWm	8	8
Restrictions and other losses	kWm	4.9	4.5
ElectropaK nett engine power	kWm	245	223
Gross BMEP	kPa	2345	2145
Combustion air flow	m <sup>3</sup> /min	14.7	14.0
	kg/hr	1041	992
Exhaust gas temperature after turbocharged (maximum)	°C	560	579
Exhaust gas flow, wet	m <sup>3</sup> /min	39.6	38.5
	kg/hr	1093	1040
Boost pressure ratio		2.95	2.8
Overall thermal efficiency (nett)	%	42	42
Mean piston speed	m/s	7.4	7.4
Engine coolant flow	l/min	140	140
Cooling fan air flow	m <sup>3</sup> /min	482	482
Typical generator set electrical output (0.8 pf)	kWe	226	206
	kVA	282	257
Assumed alternator efficiency	%	92	92

## Energy balance

Designation	Unit	Standby power	Prime power
		50 Hz @ 1500 rpm	
Energy in fuel	kWt	612	568
Energy in power output nett (at shaft)	kWb	245	223
Energy restrictions and other losses	kWb	4.9	4.5
Energy to coolant	kWt	117	109
Energy to exhaust	kWt	193	184
Energy to ACC	kWt	37	32
Energy to cooling fan	kWm	8	8
Energy to radiation	kWt	7	7

**Note:** The above data is based on 42,770 KJ/Kg calorific value for diesel conforming to specification BS2869 Class A2.

## Rating definitions

### Prime power

Variable load. Unlimited hours usage with an average load of 70% of the published prime power rating. A 10% overload is available for 1 hour in every 12 hour of operation.

### Standby power

Variable load. Limited to 500 hours annual usage up to 300 hours of which may be continuous running. No overload is permitted.

## Cooling system

Total coolant capacity.....	29.6 litres
Engine .....	13.9 litres
Radiator .....	12.6 litres
Pipes and hoses .....	3.08 litres
Maximum top tank temperature .....	107°C
Maximum static pressure head on pump.....	N/A kPa
Thermostat operating range .....	87 - 98°C
Coolant flow, against 30 kPa restriction @ 1500 rpm .....	140 litres/min
Maximum temperature rise across the engine .....	N/A°C

### Radiator

Radiator face area.....	0.49 m <sup>2</sup>
Number of rows and material .....	4/Aluminium
Fins per inch and material .....	10 FPI
Pressure cap setting (minimum).....	110 kPa

### Charge cooler

Face area .....	0.26 m <sup>2</sup>
Number of rows and material .....	2/Aluminium
Fins per inch and material .....	10 FPI

### Width and height of matrix

Height .....	1172 mm
Width .....	900 mm
Weight of cooling pack (dry) .....	84 kg

### Coolant pump

Method of drive .....	Belt driven
-----------------------	-------------

### Fan type/details

Diameter .....	813 mm (32 inches)
Drive ratio .....	1:1
Material .....	Plastic
Number of blades .....	9
Pusher/puller .....	Pusher
Cooling fan air flow @ 1500 rpm .....	370 m <sup>3</sup> /min

### Duct allowance

Ambient cooling clearance (standby power) based on air temperature at fan of 7°C above the ambient.

Maximum additional restriction (duct allowance) to cooling airflow and resultant minimum airflow.

Description	@ 1500 rpm
Ambient clearance	51°C
Duct allowance	125 Pa
Minimum airflow at conditions	370 m <sup>3</sup> /min

### Normal operating angles:

Front and rear.....	± 7°
Side tilt .....	± 7°

## Fuel system

Recommended fuel to conform to BS 2869 1998 CLASS A2 or BSEN590.

Injection system .....	Direct
Injector type.....	Hydraulically Actuated Electronically Controlled Unit Injector
Governor type .....	Electronic
Injector pressure .....	185 MPa
Lift pump type .....	Gear
Lift pump fuel delivery @ 1500 rpm .....	132 litres/hour
Lift pump delivery pressure.....	140-655 kPa
Maximum suction head at pump inlet .....	60.9 kPa
Maximum static pressure head .....	79 m
Maximum fuel inlet temperature.....	4°C
Fuel filter spacing.....	4 Microns
Tolerance on fuel consumption .....	± 5%

## Fuel consumption

**Note:** All figures based on gross engine power and assumed fuel density of 0.85 kg/litre.

### 1506C-E88TAG3

Rating	1500 rpm	
	g/kWh	litres/hr
Standby	199.4	60.6
Prime	202.3	56.4
75% prime	212.2	44.3
50% prime	240.4	33.4

## Induction system

Maximum air intake restriction of engine:

Clean filter .....	3.7 kPa
Dirty filter.....	6.2 kPa
Induction indicator setting .....	7.5 kPa
Air filter type .....	Dry paper element

## Lubrication system

Total lubrication system capacity (dry engine) .....	41 litres
Total lubrication system capacity (oil change) .....	39 litres
Sump capacity only .....	36 litres
Oil temperature (in sump) maximum.....	120°C
Oil temperature (in sump) normal continuous operation .....	115°C
Lubricating oil pressure at bearings .....	370 kPa
Minimum oil pressure .....	250 kPa
Oil relief opens at .....	662 kPa
Oil filter screen spacing .....	23 Microns
Lubricating oil flow .....	200 litres/min
Oil consumption (highest rating) .....	<0.1% of fuel

## Electrical system

Type (grounding).....	Negative ground
Alternator type.....	20SI 24 volts
Alternator voltage.....	24 volts
Alternator output .....	45 amps
Starter type .....	Electric
Starter motor voltage .....	24 volts
Starter motor power .....	5.3 kW or 6 kW
Number of teeth on flywheel .....	113
Number of teeth on starter pinion .....	11
Minimum mean cranking speed .....	100 rpm
Starter solenoid maximum pull-in current @ 20°C .....	215 amps
Starter solenoid maximum hold-in current @ 20°C .....	6 amps

## Load acceptance (cold)

### 1506C-E88TAG3

Rating	Prime %	kWe	Transient frequency deviation, %	Frequency recovery time, seconds
50 Hz/1500 rpm	65	130	9.5	3.0

**Note:** The information shown above complies with the requirements of ISO 8528-5 stated G2 operating limits.

The figure shown in the table above were obtained under the following test conditions:

Minimum engine block temperature .....	45°C
Alternator efficiency @ 1500 rpm .....	93.8%
Ambient temperature .....	25°C
Governing mode .....	Isochronous
Typical alternator inertia .....	3.3759 kgm <sup>2</sup>
Under frequency roll off (UFRO) set to @ 1500 rpm .....	49.5 Hz
Alternator manufacturer .....	Leroy Somer
Alternator model .....	LSA46.2VL12

**Note:** All tests were conducted using an engine installed and serviced to Perkins Engines Company Limited recommendations.

The information given on this technical data sheet is for guidance only. For ratings other than shown, installation guidance, please contact Perkins Engines Company Limited, United Kingdom.

## Cold start recommendations at -20°C

Oil SAE .....	0W-30
Starter type.....	1 x 24 volts
Battery.....	24 volts
Maximum breakaway current .....	998 amps
Cranking current.....	243 amps

## Starting aids

Grid Heaters .....	Controlled by ECM
Block heaters .....	External by OEMs
Block temperature .....	45°C

## Exhaust system

Grid Heaters .....	Controlled by ECM
--------------------	-------------------

## Engine mountings

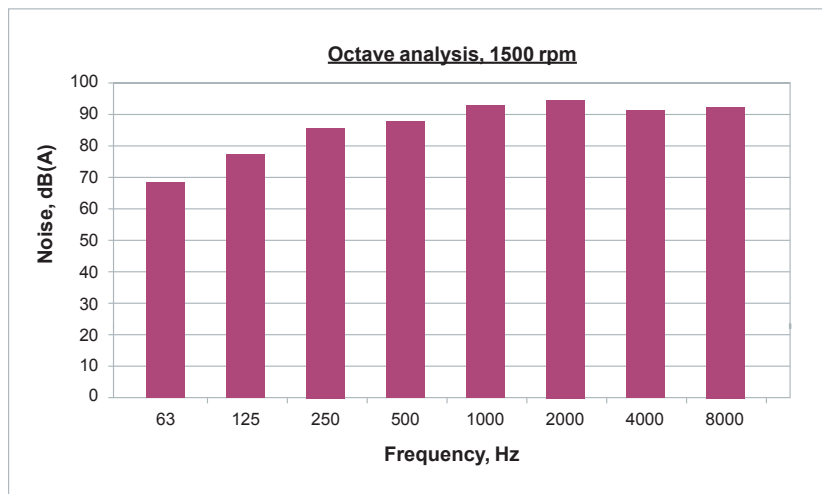
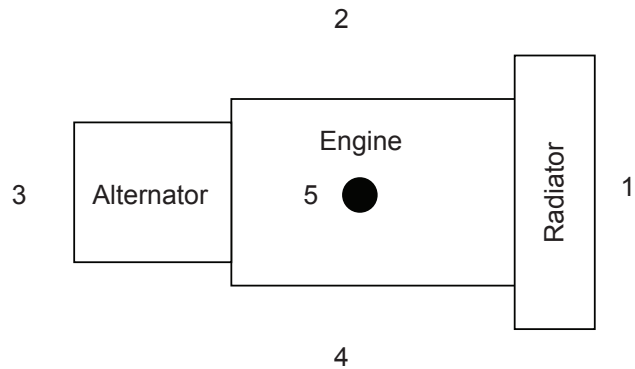
Maximum static bending moment at rear face of block. ....	3134 Nm
Maximum permissible overhung load on flywheel .....	464 kg (at a distance of 65 mm)

## Noise data

### Noise levels

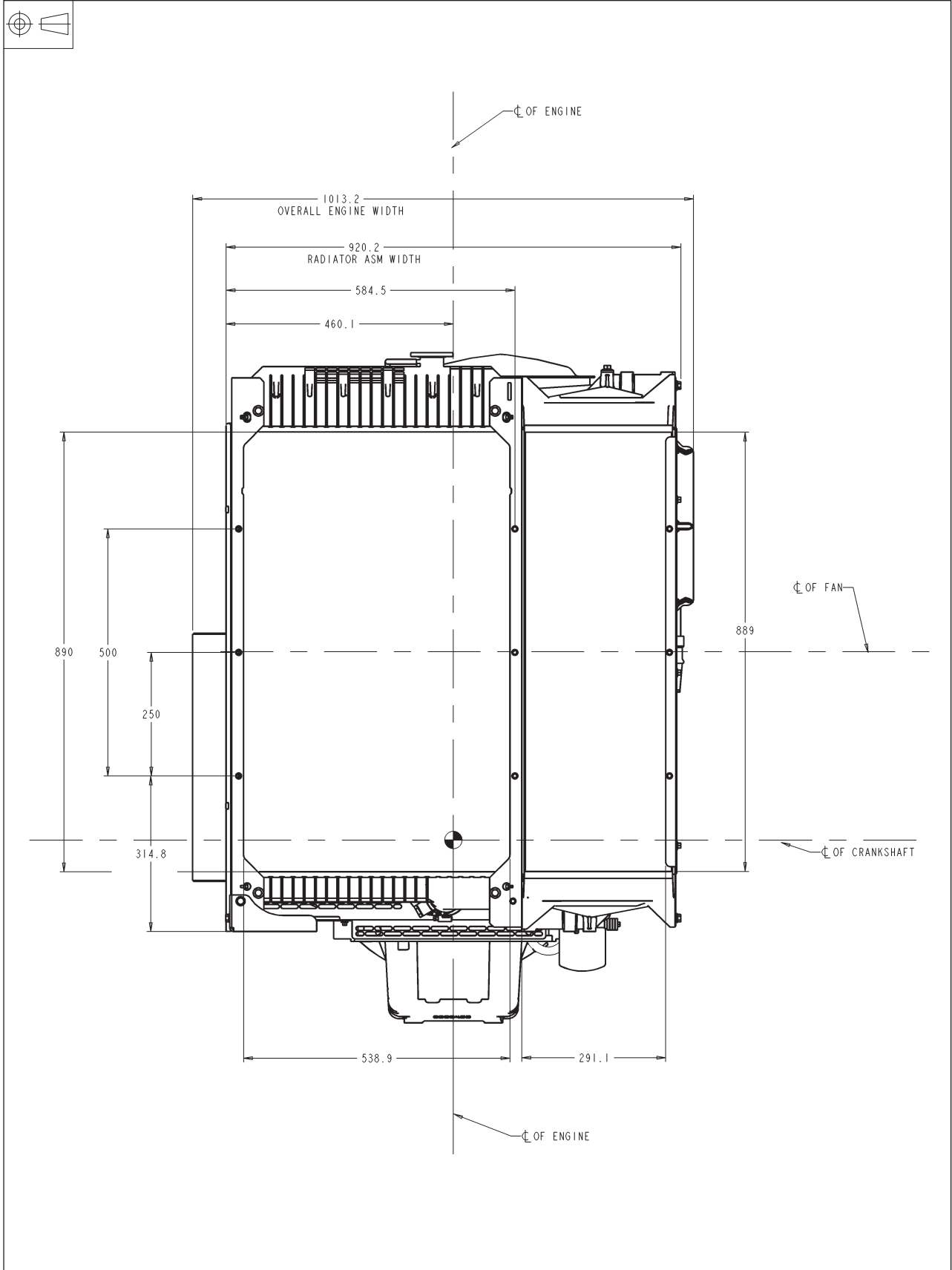
The figures for total noise levels are typical for an engine running at the standby continuous baseload power rating in a semi-reverberant environment and measured at a distance of one meter from the periphery of the engine (sound pressure level re:  $-20 \times 10^{-6}$  Pa. Ambient noise level load with open set at 264 kWe, standby @ 1500 rpm. All value measured at Sound Pressure Levels (SPL).

Position	Noise, dB(A)
1	96.7
2	98.1
3	93.8
4	97.7
5	102.2

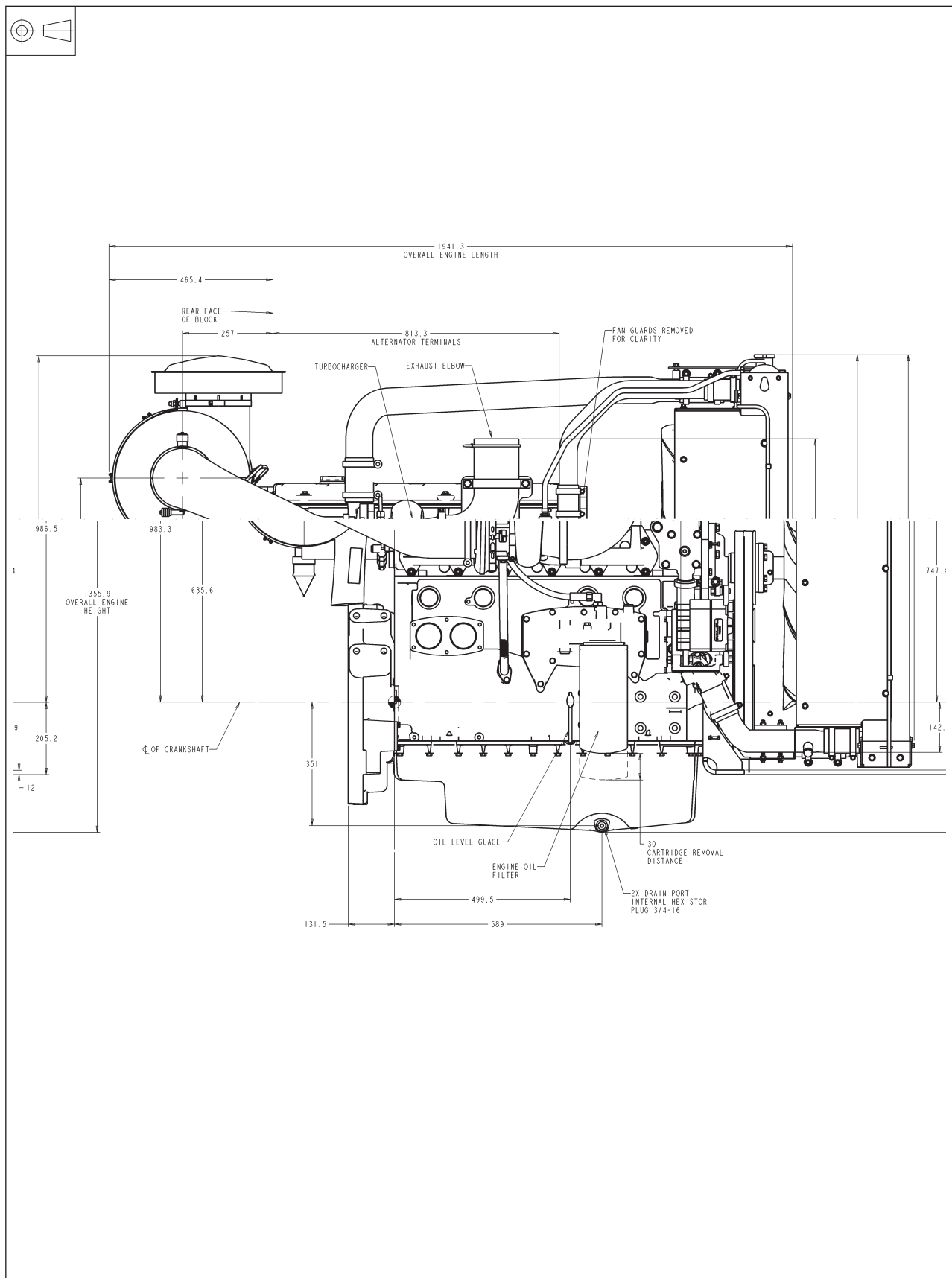


Frequency, Hz	Noise, dB(A)
63	69.2
125	77.7
250	86.4
500	87.0
1K	92.2
2K	93.3
4K	90.5
8K	91.0

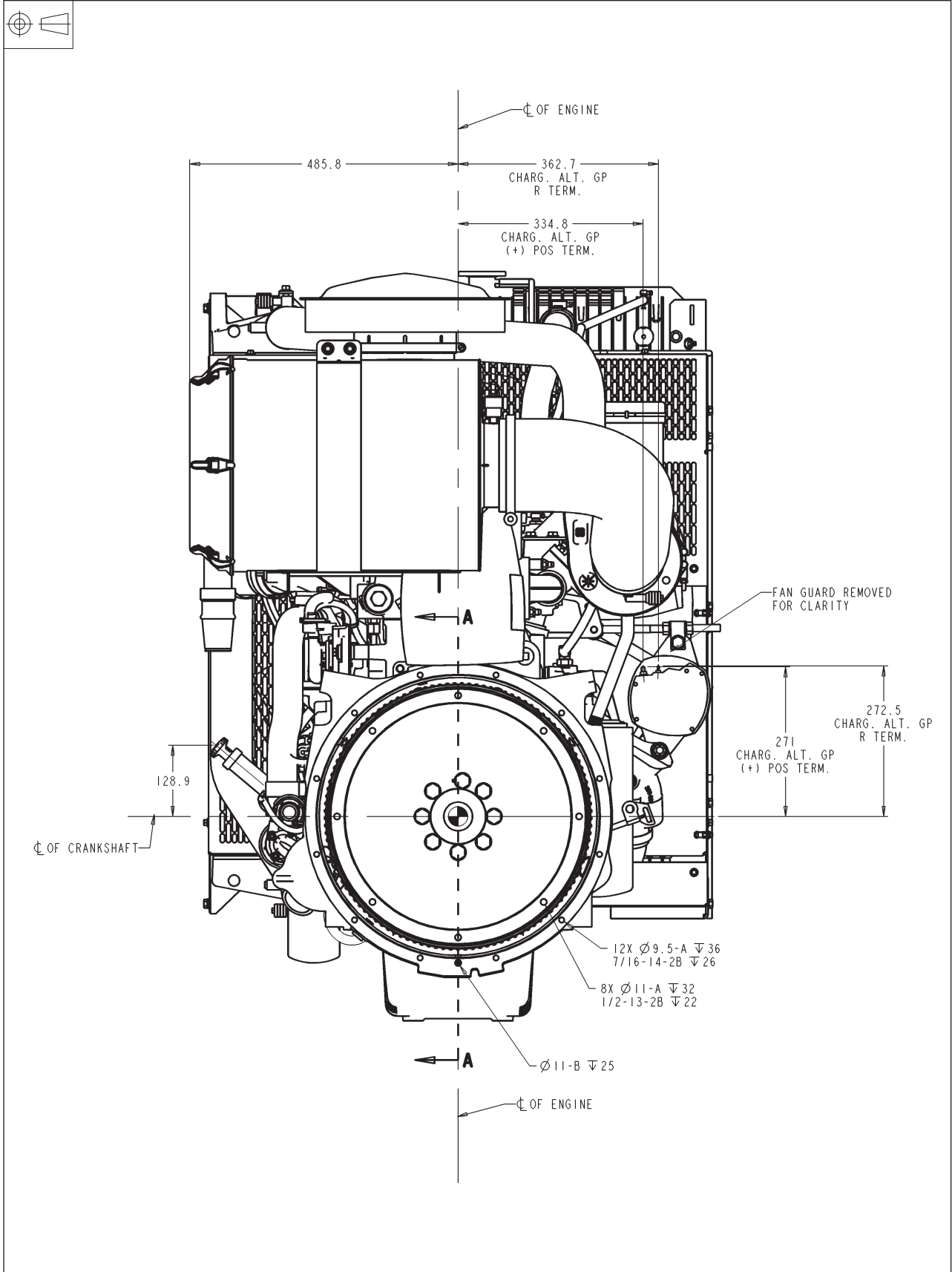
# 1506C-E88TAG3 - Front view



# 1506C-E88TAG3 - Right side view

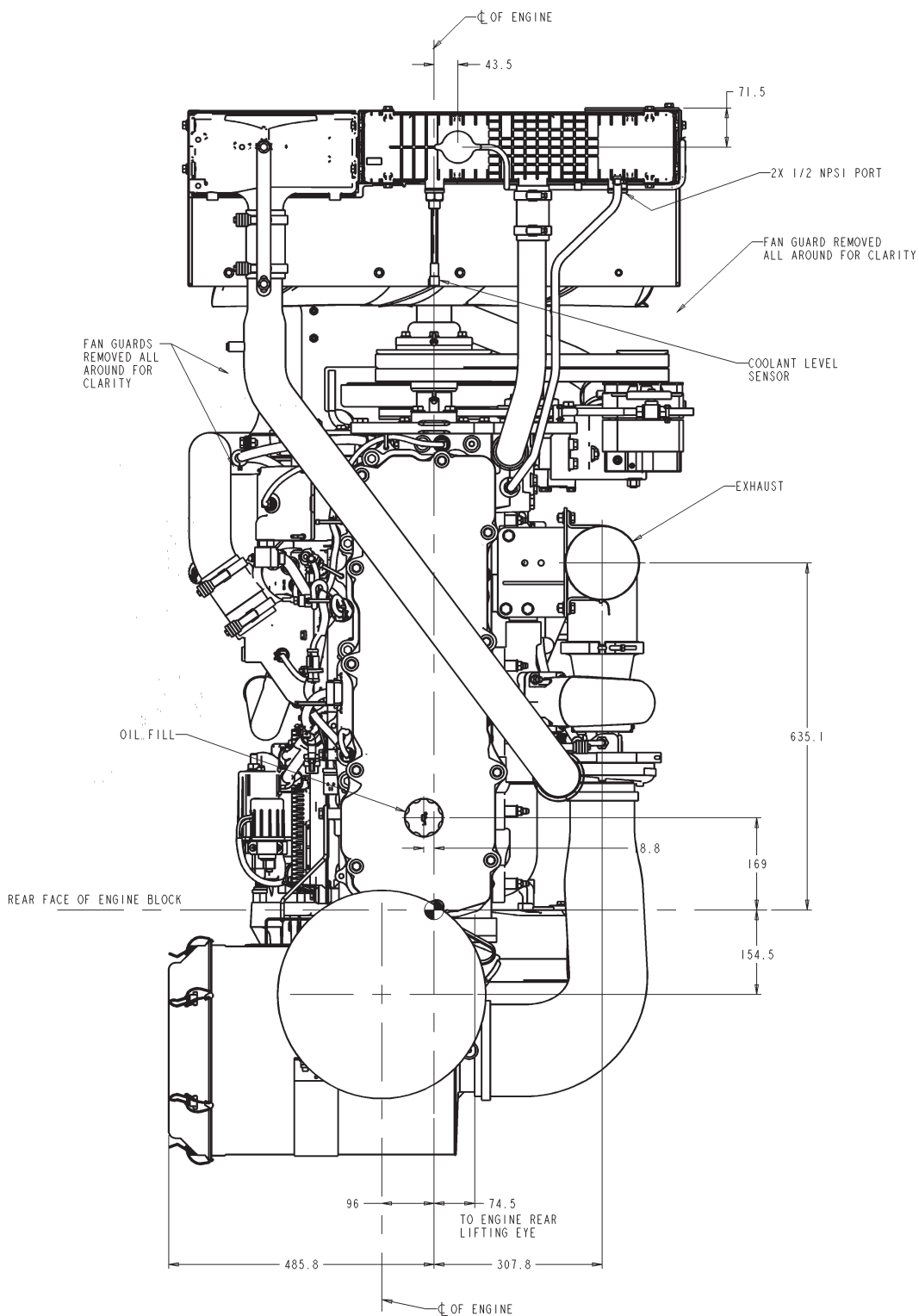


# 1506C-E88TAG3 - Rear view

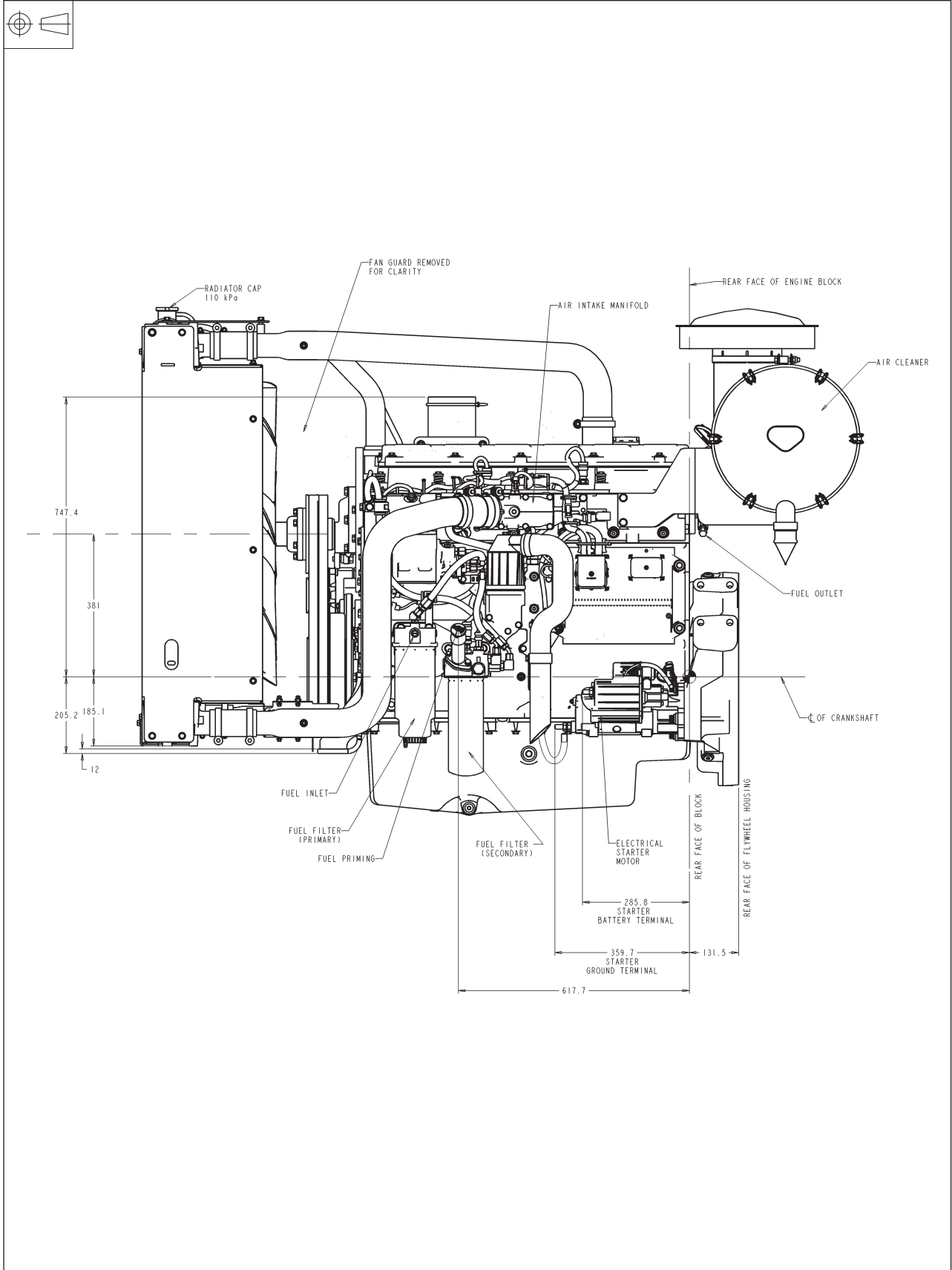




# 1506C-E88TAG3 - Plan view



# 1506C-E88TAG3 - Left side view



# 1506C-E88TAG3 - Under view

